



SEALED LEAD ACID SMART BATTERY CHARGER PC SERIES



- Universal input 100~240 Vac
- Multistep charger setup and auto shutdown(tri step)
- Fast charge, Normal charger, Average charger
- Voltage with auto sensor battery
- Full charge with auto shut down
- Output short circuit protection
- Anti-reverse voltage protection
- Overload protection
- LED 2 status display, red charging, green fully charged
- C/UL/US/CE approved

Reference Specification

Input

Input Voltage: 100~240Vac
 Input Frequency: 47~63Hz
 Input Current: 1.6A at 115Vac
 0.8A at 230Vac
 Inrush Current: Cold start 15A at 115Vac 30A at 230Vac

Output

Max. Continuous Output Power:
 Output Voltage: 14.6, 13.7

Line Regulation:
 Load Regulation:
 Hold-Up Time: 8ms at full load output power and 115Vac input

Transient Response:
 Startup Time:
 Safety Ground Leakage Current: 0.25mA
 Ripple & Noise: ~±1%
 Efficiency: Efficiency V
 Output connector: refer to page

EMI/EMC Compliance

MTBF

Full load for a minimum of 150,000 hours at 25°C

Overload Protection

Over current hiccup mode protection on the primary input circuit.

Overvoltage Protection

Short Circuit Protection

Component Derating

Environmental

Operating Temperature: 0~50°C
 Storage Temperature: -20~85°C
 Relative Humidity: 5~90%, non-condensing
 Cooling: convection cooling

SEALED LEAD ACID SMART BATTERY CHARGER

PC SERIES

Model No. *: H = Horizontal V = Vertical W = Hang-down	Output Voltage	Output Current (Min.)	Output Current (Max.)	Output Peak	Noise P-P	Total Regulation	Efficiency V
PC-1220A	12Vdc		2.0A	24W			82.1%
PC-2420A	24Vdc		2.0A	48W			86.4%

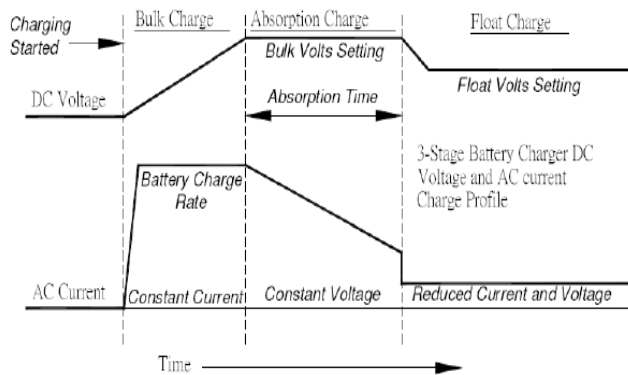
Physical Specifications:

Case Dimensions: 119mm(L) X 60mm(W) X 34mm(H)

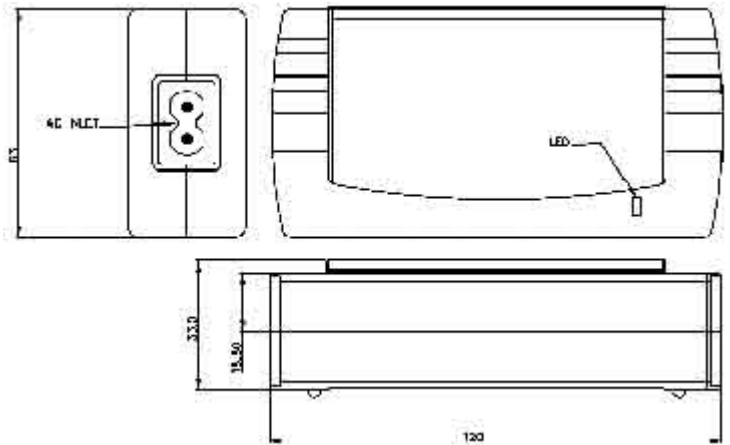
Case Material:

Weight:

Charging Graph:



Mechanical Drawing:



Safety Certifications

